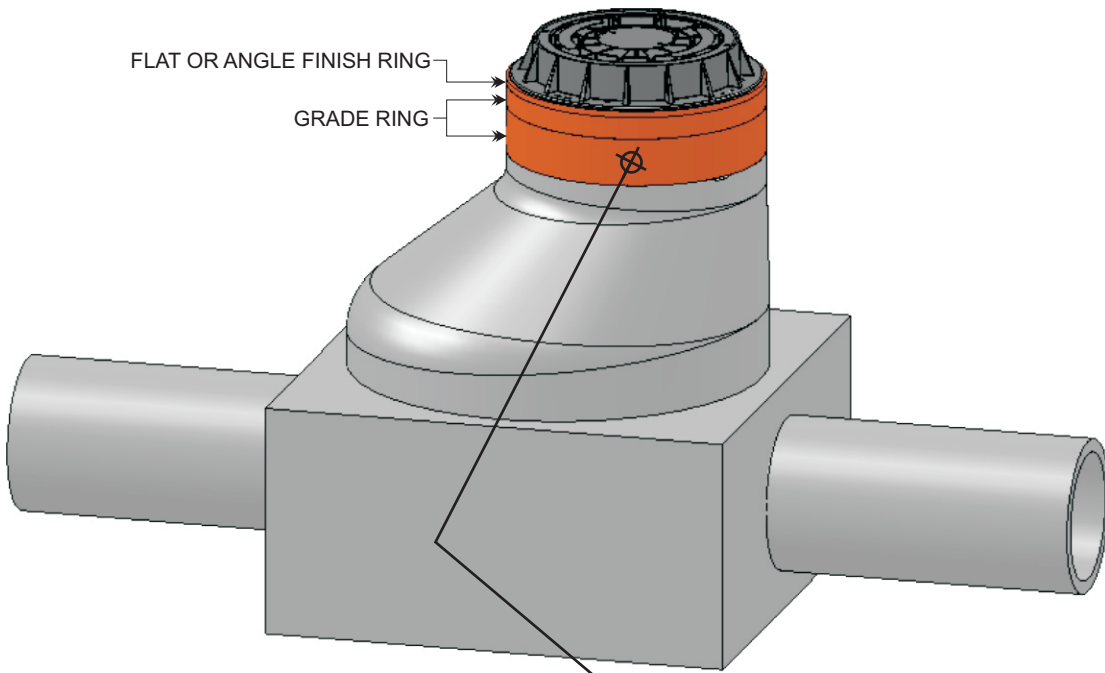


Underground Technologies



Std. Ring Product Chart



All the Right Reasons

- ✓ Road Worthy - AASHTO HS25
- ✓ Warranty
- ✓ Chemical Resistant
- ✓ Worker Safety
- ✓ Cost Savings
- ✓ Improve Sustainability
- ✓ Improve Tax Payer Value



SIZES

ID: 27 OD:40
ID: 24 OD:36

ANGLE

1.0 to 0.5
1.25 to 0.5
1.5 to 0.5

FLAT FINISH

0.75
1.0
1.25
1.5
2.0
3.0

GRADE RINGS

0.75
1.0
1.5
2.5
3.5
4.5
5.5
6.5