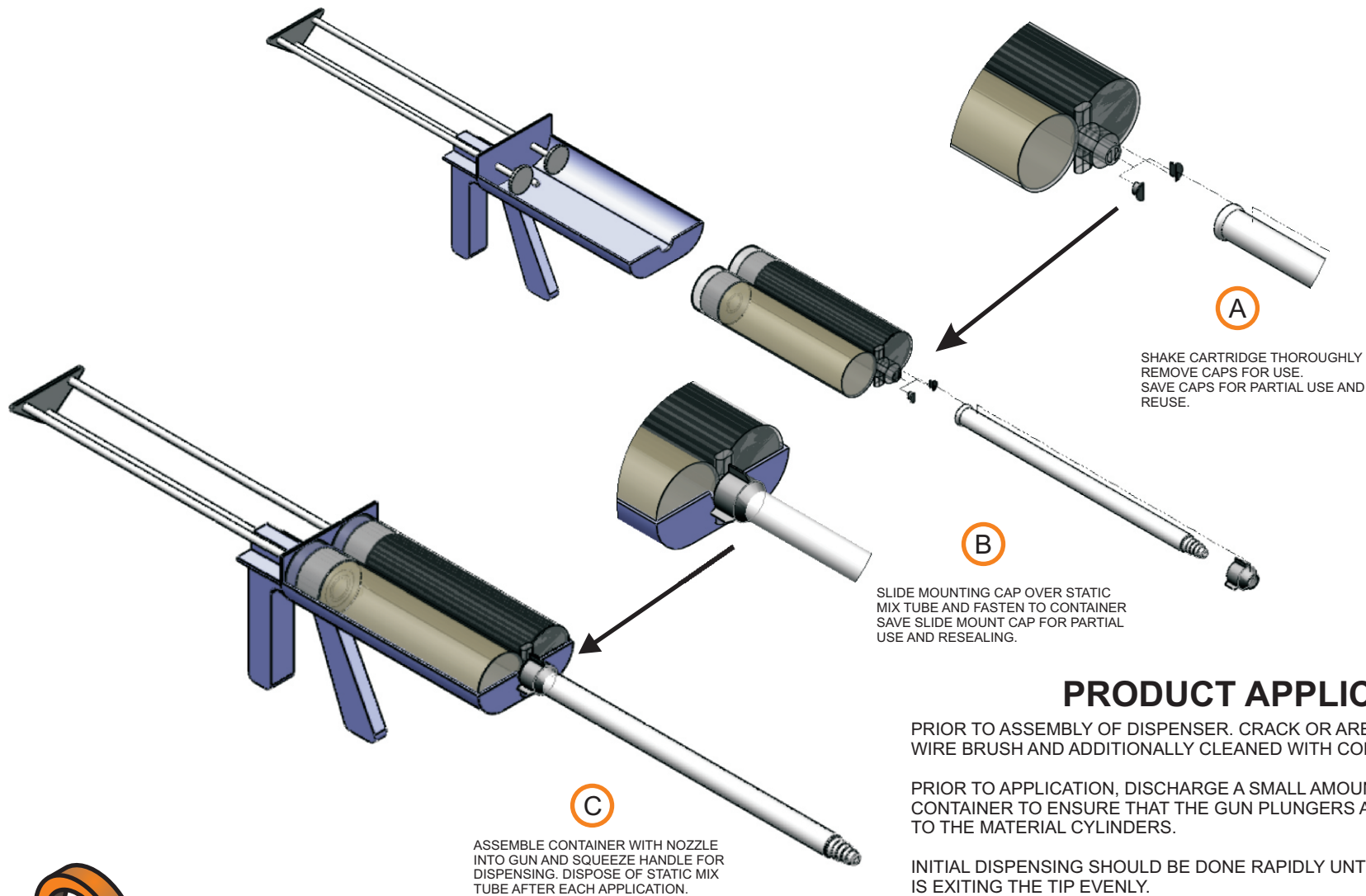


# CRACK N SEAL

STORE ABOVE 60°F



## PRODUCT APPLICATION

PRIOR TO ASSEMBLY OF DISPENSER. CRACK OR AREA SHOULD BE PREPPED WITH WIRE BRUSH AND ADDITIONALLY CLEANED WITH COMPRESSED AIR.

PRIOR TO APPLICATION, DISCHARGE A SMALL AMOUNT OF MATERIAL INTO A SMALL CONTAINER TO ENSURE THAT THE GUN PLUNGERS ARE APPLYING EVEN PRESSURE TO THE MATERIAL CYLINDERS.

INITIAL DISPENSING SHOULD BE DONE RAPIDLY UNTIL PROPERLY MIXED MATERIAL IS EXITING THE TIP EVENLY.

FOR NON HORIZONTAL CRACKS, THE AREA SHOULD BE DAMMED USING UGT SECURE N SEAL ALONG WITH OTHER BLOCKING SUBSTRATES. INJECT CRACK N SEAL INTO UPPER PORTION OF THE DAMMED AREA UNTIL OVERFLOW. LET STAND FOR 10-12 MINUTES AND OPTIONALLY REMOVE DAMMING.

### FOR CHEMICAL EMERGENCY

Spill, Leak, Fire, Exposure, or Accident  
Call CHEMTREC Day or Night  
Within USA and Canada 1-800-424-9300  
Outside USA and Canada: +1 703-527-3887  
(collect calls accepted)



Made in the USA

**Underground Technologies**

Developing Underground Solutions for the 21st Century

(248)588-4050 - WWW.UGROUNDTech.COM